

Product Features

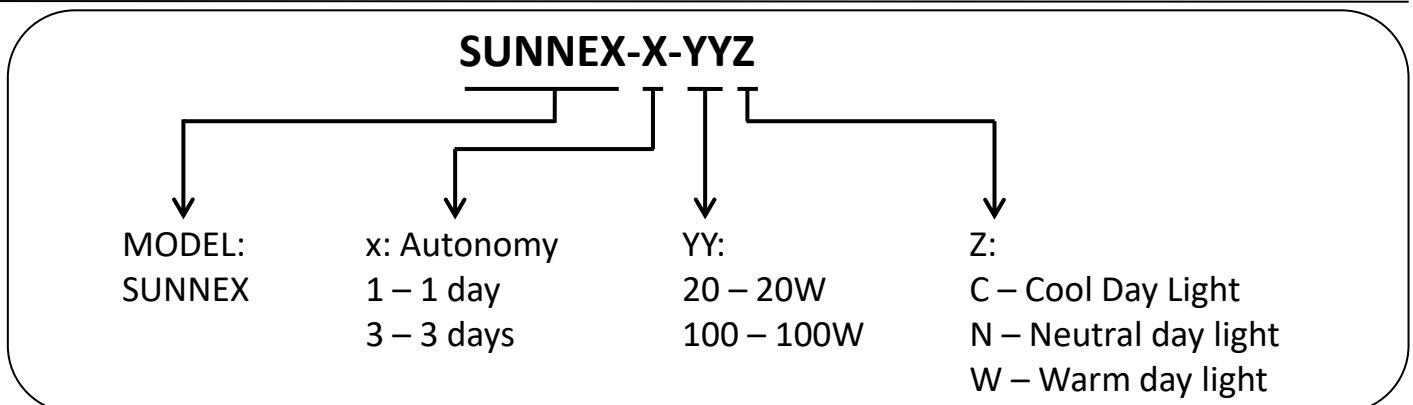


- Solar Flood light with External battery pack & PV panel.
- Aluminum die cast + CRCA housing duly powder coated.
- Long life and better thermal management.
- Maintenance free LiFePo4 High efficiency battery pack.
- Inbuilt solar charge pump with high efficiency electronics.
- Available in 1 day / 3 day autonomy.



Optical Specification	System Power Consumption (W)± 10%	20/30/40/50/100W
	Light Source	LED
	Typ. Fixture Efficacy (LM/W)	110
	Color Temperature (K)	Cool White
	CRI	70
	Diffuser / Optical material	PMMA Lense + Toughen Glass
	Beam Angle options	60°/90°/
General specification	Mounting Style	Wall / ceiling mount
	Backup time	1 Day / min. 12 hrs; 3 Days / Min. 36 hrs
	Lighting Time	12 hours/Night
	Solar panel Module	Polycrystalline cells
LED Indications	Battery not charging, PV low	Green LED OFF
	Battery charging	Green ON
	Battery full	Green flashing
	Battery not discharged	Red OFF
	Battery discharged; Load disconnect	Red ON
Battery	Type	LiFePo4
	Life cycle	> 2000 cycles
	Operation Temperature	0 to +45°C
Controller	Charging type	MPPT
	Operating Profile Options	Dusk-to-dawn 100% power, various dimming profiles
	Day / Night Transition	Via solar panels

Model No.



All features, functionality and other product specifications are subject to change without notice or obligation.